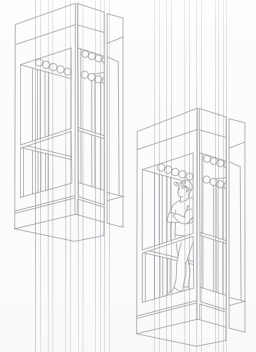




EARTH EQUIPMENTS

Manufacturer of

Hydraulic Goods & Passenger Lifts



**Established
in 2018**

Engineering Reliable Vertical Mobility Solutions



ABOUT US

Earth Equipments is a trusted manufacturer of Hydraulic Goods Lifts, Passenger Lifts, and Vehicle Lifts, established in 2018.

We focus on delivering safe, reliable, and customized vertical mobility solutions that meet the highest quality standards. Our commitment to engineering excellence, transparent business practices, and customer satisfaction helps us build long-term relationships across residential, commercial, and industrial projects.

CAR PARKING LIFT SYSTEMS

Car Parking Lift Systems are advanced mechanical solutions designed to optimize parking space by vertically or horizontally stacking vehicles. These systems are ideal for residential buildings, commercial complexes, hotels, shopping malls, hospitals, and urban developments where parking space is limited.

Engineered with high-strength steel structures and precision lifting mechanisms, car parking lifts ensure safe, stable, and efficient vehicle movement. Available in various configurations such as single-post, double-post, scissor lifts, puzzle parking systems, and fully automated parking solutions, they accommodate different vehicle sizes and site requirements.

Car parking lift systems feature advanced safety mechanisms for secure and reliable operation. With low maintenance and efficient performance, they maximize parking capacity and offer a smart, space-saving solution for modern parking requirements.

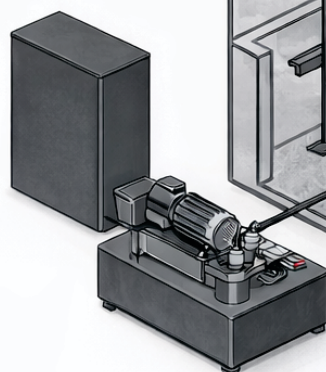
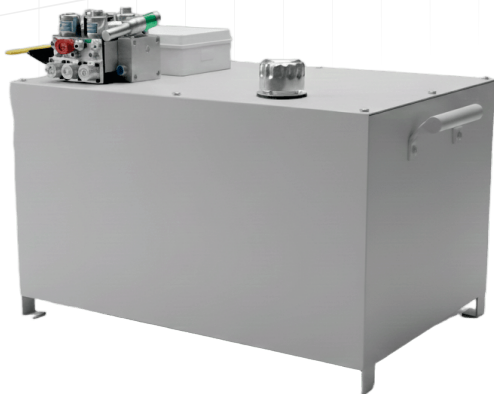
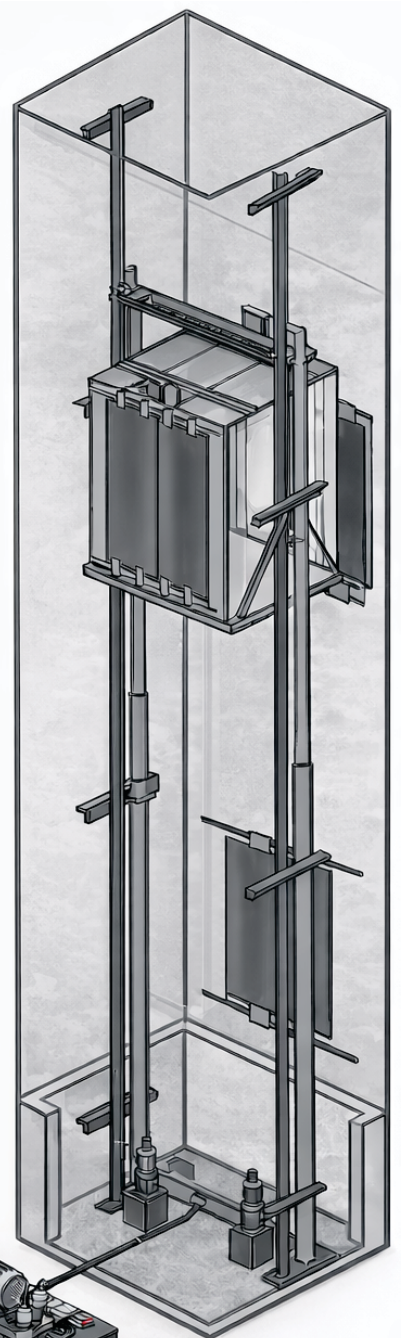




HYDRAULIC HOME PASSENGER ELEVATOR

Hydraulic Home Passenger Elevators are designed for homes, villas, and low-rise buildings, offering smooth, quiet, and safe vertical movement through a hydraulic pump and cylinder system.

They support flexible installation, require low maintenance, and feature customizable cabins with advanced safety systems, making them a reliable and elegant mobility solution for modern homes.



DIMENSION TABLE FOR HOME LIFT

DOOR OPERATION	LOAD		CAR SIZE		LIFT WELL		ENTRANCE	SPEED (MPS)	PIT	OVER HEAD
	Person	KGS								
Manual Door	3	204	800	700	1100	1200	700	0.3	550	3600
Manual Door	4	272	800	1200	1300	1400	700	0.3	550	3600
Auto Door	3	204	800	700	1300	1300	700	0.3	550	3600
Auto Door	4	272	850	1150	1300	1600	700	0.3	550	3600

IMPORTED FROM ITALY AND GERMANY



3/4" Ev100

10-125 l/min (2-33 US gpm)



1 1/2" & 2 Ev100

30-800 l/min (8-208 US gpm)



KV1S

1 1/2"



**SUBMERSIBLE
SCREW PUMP**



**SUBMERSIBLE
MOTOR**



R10

up to 2100 l/min (554 US gpm)



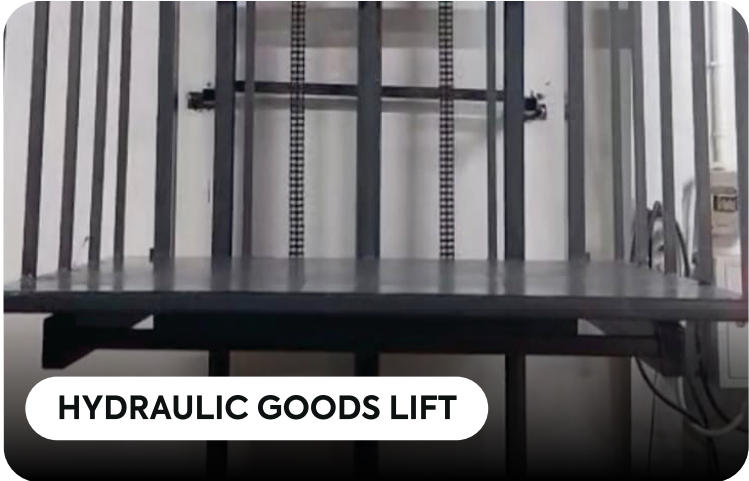
HP

Hand Pump

OUR ELEVATOR PRODUCTS



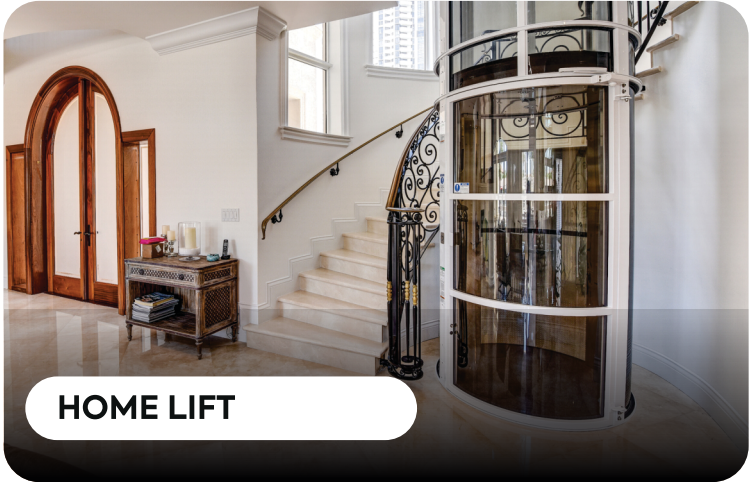
PASSENGER LIFT



HYDRAULIC GOODS LIFT



HOSPITAL LIFT



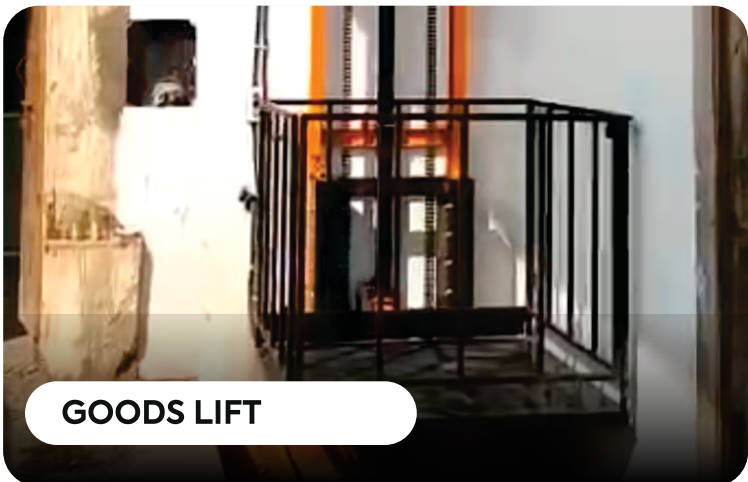
HOME LIFT



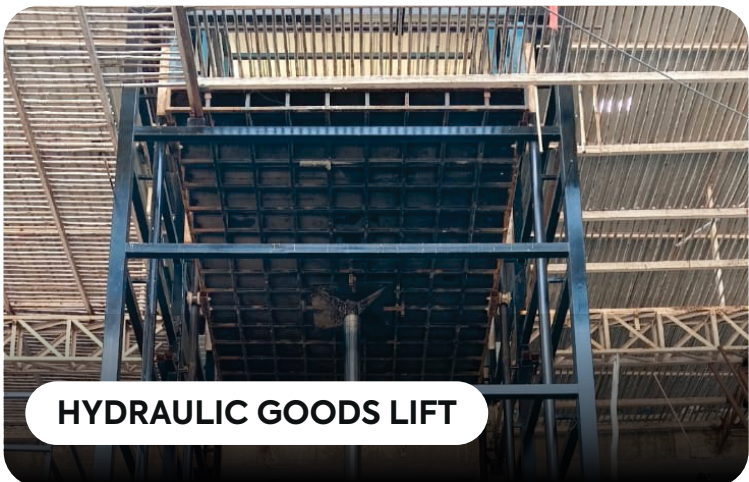
GOODS LIFT



HYDRAULIC ELEVATORS



GOODS LIFT



HYDRAULIC GOODS LIFT

OUR CUSTOMERS

Customer Name	Place	City
Karnavati Hyduai Motors	Kathwada	Ahmedabad
Galoops Kia Motors	Narol	Ahmedabad
Swan Energy Limited	Vatva	Ahmedabad
Mangle Textile Mills	Vatva	Ahmedabad
Jayraj Textile	Pali	Rajasthan
K.B. Synethitics	Pali	Rajasthan



CONTACT US

EARTH EQUIPMENTS

MANISH GADARIYA

+91 98793 38344

VASANT PATEL

+91 73830 37484

 www.earthequipments.in

 earthequipments1981@gmail.com

 manishgadariya3@gmail.com

 **Head Office Address**

45/349, G.H.B. Sarvoday Nagar, Khokra, Ahmedabad

 **Factory Address**

39/ Golden Industrial Estate, Nr. Hinglaj mata Temple
Bhuwaldi Kathwada, Ahmedabad 382430

   | Omega Fire and Safety Products



Scan QR Code
for the location